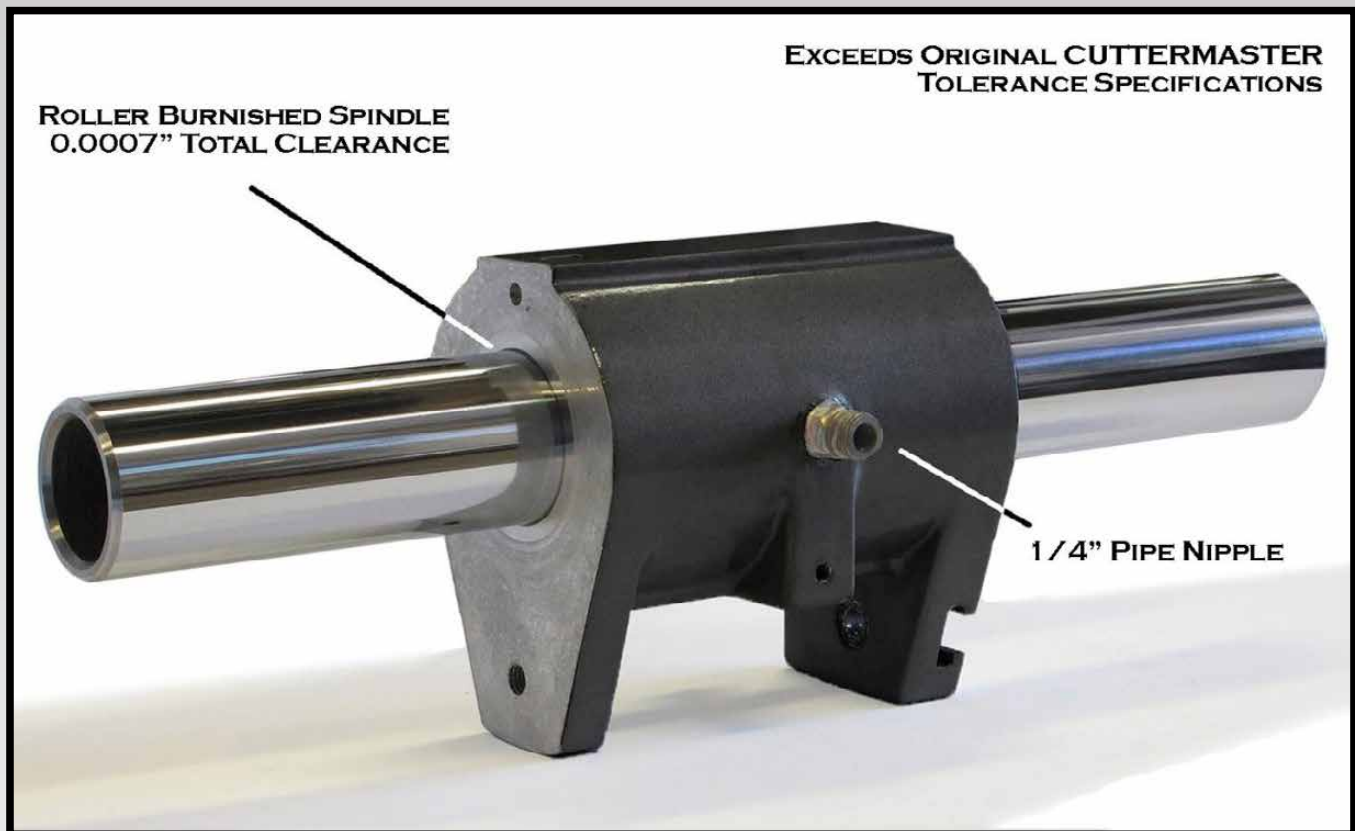


Main Air Spindle and Body Housing Upgrade

CM-02AU



The CM-02A Air Spindle Upgrade for CUTTERMASTER and CUTTERMASTER type machines replaces the main body and spindle of the air bearing. It is an improvement over the original air bearing supplied with the CM-01 and MG-30 CUTTERMASTERS, in that the bushing is roller burnished and provides greater tolerance (0.0007").

If you have blocked airways in your main housing or if your spindle is too loose or is damaged, our air spindle upgrade may be a preferable solution to a new complete CM-02A Air Bearing Assembly.

This kit only provides the main housing and spindle, the remaining parts are transferred from your existing air spindle (base, collars, handles, etc).

Engineering and Prototyping - 2353 Ridgcrest Place, Ottawa ON K1H 7V4
Manufacturing and Distribution - 810 Proctor Ave, Ogdensburg NY 13669
Call us 1 (800) 417-2171

www.cuttermasters.com or email: sales@cuttermasters.com

